

DB600D

Manual



Thank you for purchasing NMD Autolight. Please read the manual carefully before the installation and operation of this unit.

Attention

1. This unit is for vehicles with 12V DC only.
2. It is recommended to have this unit installed by a professional auto technician.
3. Use the same cable for extension.
4. Perform test after finishing the installation.
5. The sensitivity of the light sensor can be adjusted.

About Autolight

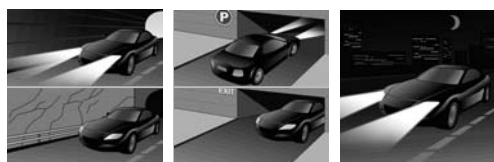
Autolight has been designed to control the vehicle lighting system and will switch the lights on automatically as it gets dark and off when it gets light. It will automatically control your lights without the need for manual operation.

This system is very safe and easy to install and will not affect the vehicle lighting or electrical system.

How will you benefit from Autolight?

- Saves you having to turn lights ON/OFF when it gets dark or light
- Increases visibility and safety
- Stable in all light conditions
- Practical, convenient and easy to use

Autolight helps you in the following situations



Turn lights on/off automatically when driving in or out of tunnel

Turn lights on/off automatically when driving in or out of garage

Turn lights on automatically at night



Turn lights on automatically in dark

Turn lights off automatically when ignition is off

Perfect performance in all conditions

Key features

- Turn your lights ON/OFF automatically when it gets dark/light
- Sensitivity of the light sensor can be adjusted
- Handbrake facility
- Push button switch on the back of the light sensor will turn the Autolight ON/OFF
- Designed for vehicles with negative or positive headlights
- No interference with the vehicles electrical systems
- Great convenience and easy installation
- Universal for all 12V vehicles

Technical parameters

Rated Voltage: 12V ± 4V
Max. Rated Current: <25A

Autolight fitting instruction

Wire connection--The following wiring diagrams are examples only. Check carefully before the final connection. Insulate the wires that are not used.

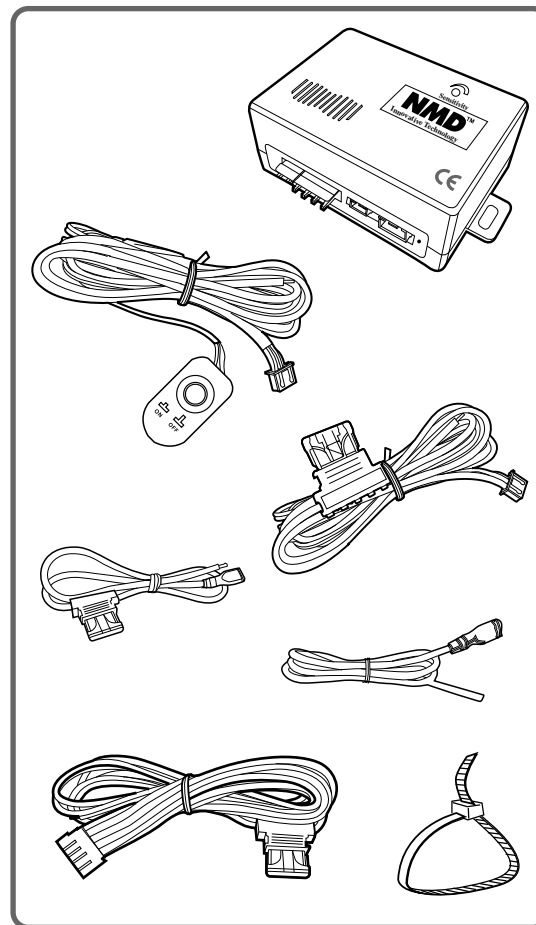
Light sensor--Stick the light sensor on the front windscreen, make sure it is kept away from dark or shaded areas.

ECU--Install the ECU at an easy accessible place under the dashboard, should you need to adjust the sensitivity. The factory setting is recommended.

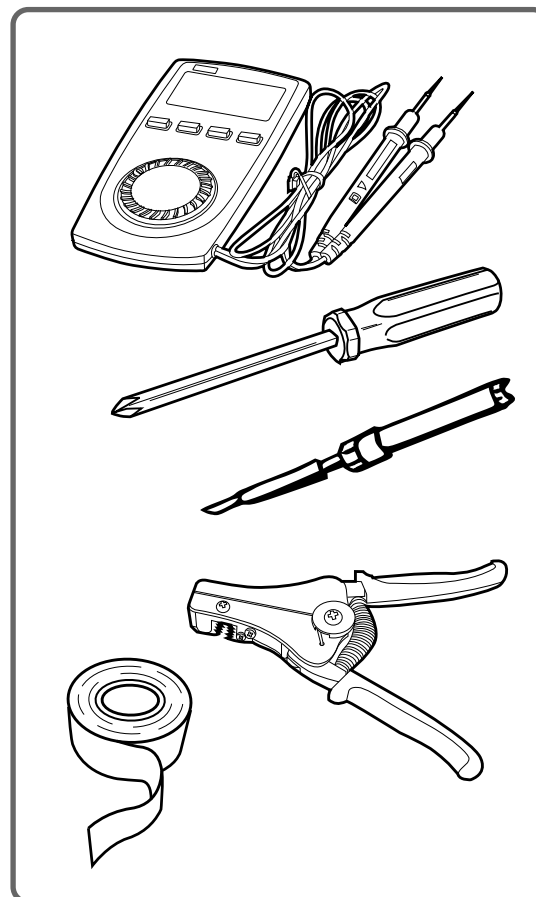
Universal for all vehicles

Audi	BMW	Chevrolet
Citroen	Chrysler	Ford
Fiat	Honda	Hummer
Hyundai	Jaguar	Jeep
Kia	Lexus	Mazda
Mercedes-benz	Mitsubishi	Nissan
Opel	Porsche	Renault
Saab	Skoda	Subaru
Suzuki	Toyota	Volkswagen
Volvo	... etc.	

Components

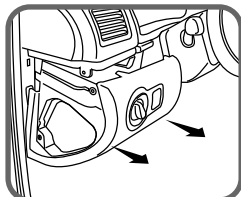


Tools



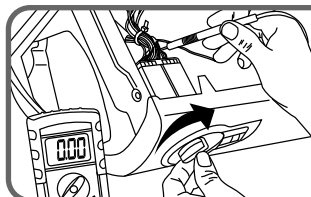
Step by step installation guide

1. Remove trim

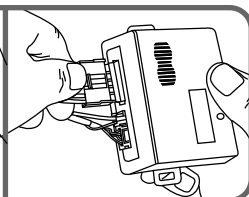


Remove trim from around the light switch

2. Connect wires

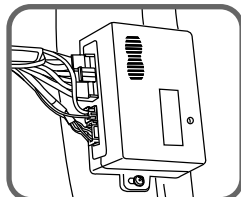


Connect all wires as per wiring diagram



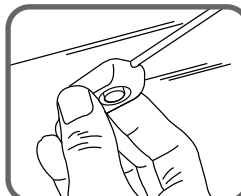
Connect to ECU

3. Install ECU



Fasten the ECU

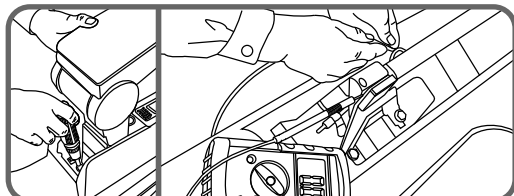
4. Install the light sensor



Fix the light sensor to the windscreen

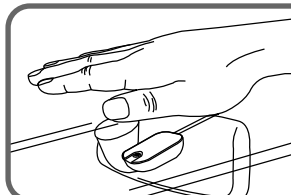
When the handbrake wire is connected, the headlights will switch off and the side lights will remain on after the handbrake is applied

5. Connect handbrake wire

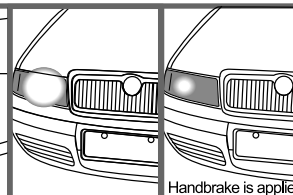


Connect the Black/White wire to handbrake wire

6. Function test



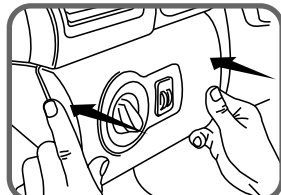
Perform the test when installation is complete



The sensitivity of the light sensor can be adjusted

Handbrake is applied

7. Refit trim

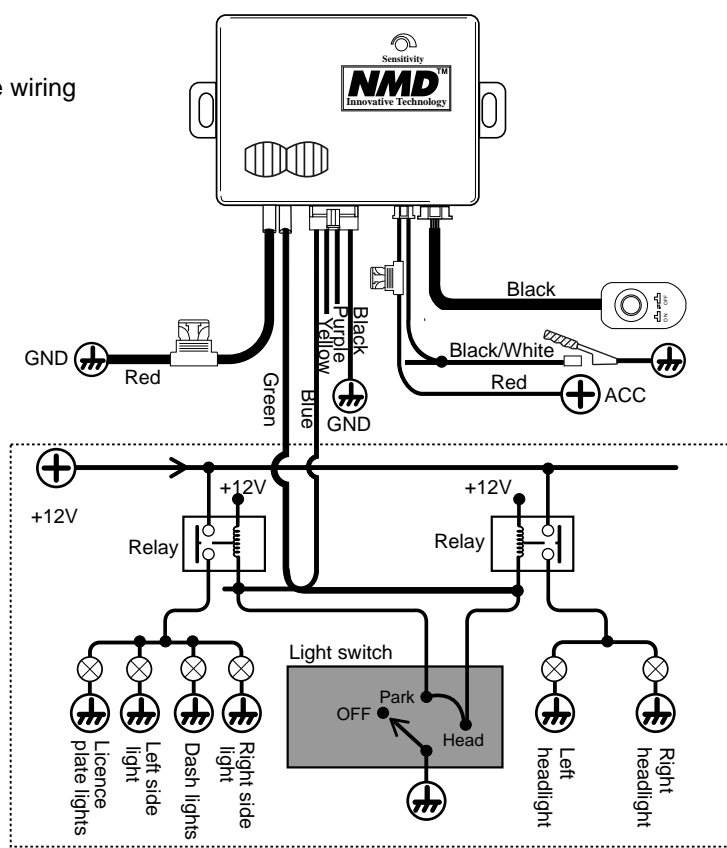


After completion, refit trim

Wiring diagram

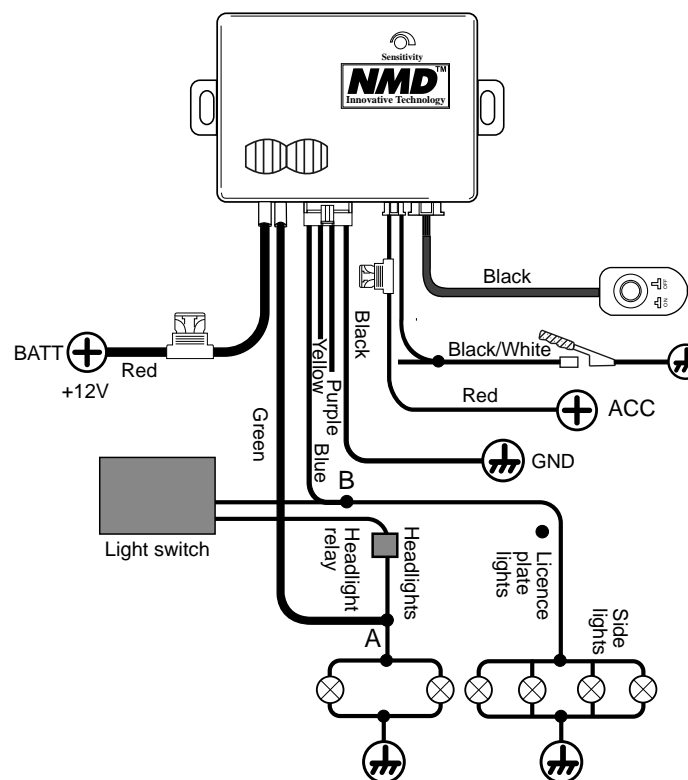
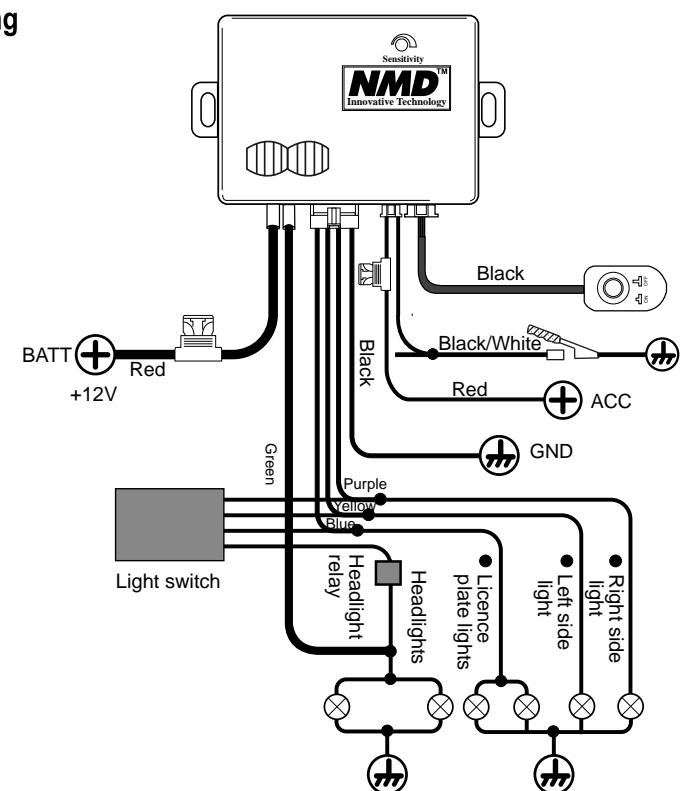
The wiring diagram may vary due to different types of vehicles.

Negative wiring



Insulate the yellow and purple wires if they are not connected

Positive wiring



Insulate the yellow and purple wires if they are not connected

Warranty:

The unit is warranted for 12 months from the date of purchase.

The warranty does not cover improper use or damage to the unit caused by installation or removal of the unit.



If the lights are manually switched on while using the Autolight, make sure the lights are switch off before the ignition is turned off.